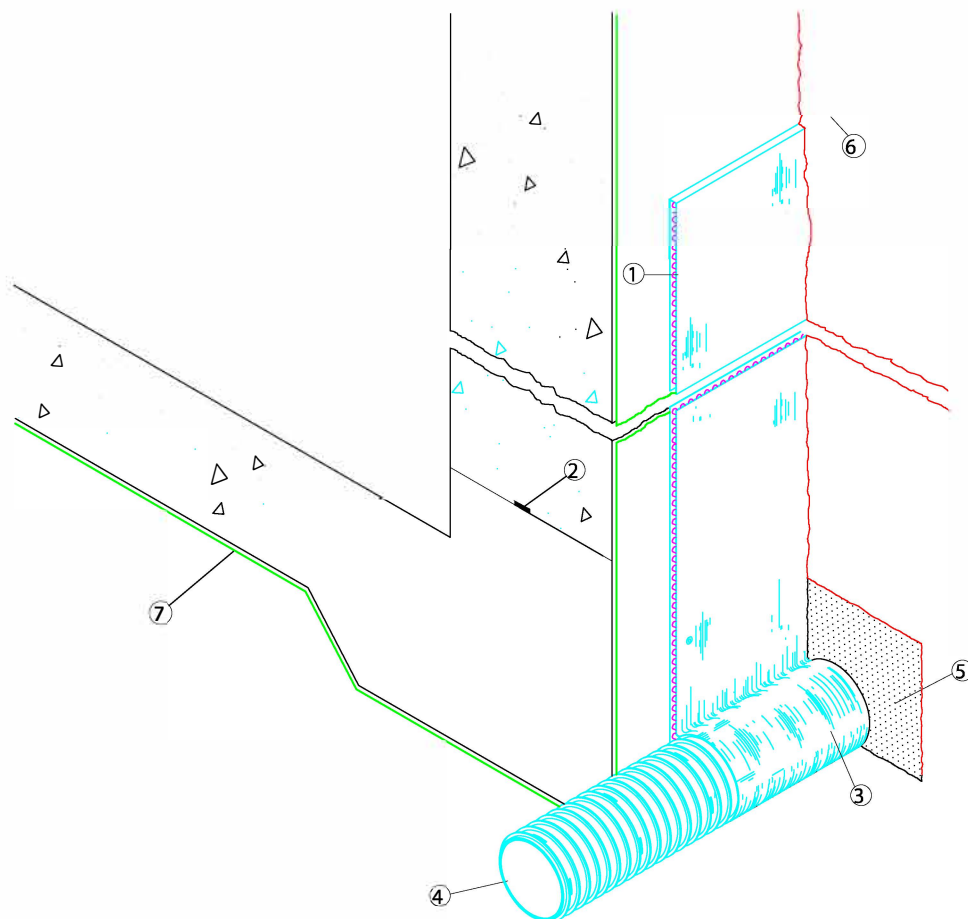




This drawing is the copyright of Fosroc Ltd. (modified by permission) and must not be reproduced in any part without prior written permission

As suppliers of building and civil engineering products Parchem Construction Supplies Pty Ltd do not offer a design service. Information in this drawing is a suggestion only and must not be used for construction except as a signed off drawing by the specifier or contractor



- ① PROOFEX SHEETDRAIN 81 ADHERED TO ENGAGE WITH PROOFEX DETAIL STRIP
- ② HYDROTITE CJ1020-2K WATERSTOP
- ③ 300mm OF GEOTEXTILE FABRIC PULLED BACK FROM PROOFEX SHEETDRAIN 81 AND WRAPPED AROUND PIPE
- ④ PERFORATED SUBSOIL DRAINAGE PIPE LAID TO FALLS TO SITE DRAINAGE SYSTEM
- ⑤ 150mm LAYER OF DRAINAGE STONE - EG PEA GRAVEL - TO HOLD FABRIC IN PLACE AROUND PIPE
- ⑥ BACKFILL WITH LARGE/SHARP STONES REMOVED, PLACED IN LAYERS AND COMPACTED
- ⑦ PROOFEX ENGAGE

NOTE:-
DETAIL BASED ON A 100mm DIAMETER LAND DRAIN

PROOFEX ENGAGE AND SHEETDRAIN TO SUBSTRUCTURE RETAINING WALL

SCALE:- NTS

DRAWN BY:- AMC
DATE:- 12/4/00

LATEST AMENDMENT:- PJ
DATE:- 09/10/19

TSD/W-ESD18

ISSUE NUMBER 6



PARCHEM CONSTRUCTION SUPPLIES
7 LUCCA ROAD, WYONG
NSW 2259

www.fosroc.com.au
1800 812 864

Fosroc and the Fosroc logo, are the trade marks of Fosroc International Limited, used under licence